

FEATURES

- LOW Cost, High Quality
- Compact Size, Light Weight
- High Performance
- Wide Operation Temperature Range
- Octave and Multi-octave Bands

APPLICATIONS

- Load isolation
- Module integration



SPECIFICATIONS@25°C:

Part Number	Frequency Range (GHz)	Band Width (MHz)	Insertion Loss (dB.Max)	Isolation (dB.Min)	VSWR (Max)	Operating Temperature (°c)	Power Handling (W.FWD)	Case Type
CIS001002G	0.14-0.24	5	0.6	18	1.3	0~+60	10 Load	CI34
CIS001002GH	0.14-0.24	5	0.6	18	1.3	0~+60	100 Load	CI35N
CIS002003G	0.2-0.3	10	0.5	18	1.3	0~+60	10 Load	CI36
CIS002003GH	0.2-0.3	10	0.5	18	1.3	0~+60	100 Load	CI37N
CIS002003G	0.2-0.4	20	0.4	20	1.25	-15~+60	10 Load	CI38
CIS002003GH	0.2-0.4	20	0.4	20	1.25	-15~+60	100 Load	CI30N
CIS004006G	0.4-0.6	20	0.4	20	1.25	-15~+60	10 Load	CI39
CIS004006GH	0.4-0.6	20	0.4	20	1.25	-15~+60	100 Load	CI40N
CIS00400030B	0.4-0.43	Full	0.3	25	1.2	-10~+50	5	CI39
CIS004006C	0.4-0.6	Full	0.8	14	1.6	-10~+50	10	CI38
CIS005010G	0.5-1	50	0.4	23	1.2	-30~+70	10 Load	CI08
CIS005010GH	0.5-1	50	0.4	23	1.2	-30~+70	100 Load	CI41N
CIS00625MS	0.6-0.65	Full	0.4	23	1.2	-10~+50	10	CI08
CIS007009F	0.72-0.92	Full	0.6	18	1.3	-10~+50	150	CI41
CIS008014G	0.8-1.4	60	0.3	23	1.2	-45~+85	10 Load	CI01
CIS008014GH	0.8-1.4	60	0.3	23	1.2	-45~+85	100 Load	CI03N
CIS0080070A	0.8-0.87	Full	0.3	23	1.2	-10~+50	60	CI08
CIS008010A	0.8-1	Full	0.5	20	1.25	-10~+50	100	CI01
CIS0820140A	0.82-0.96	Full	0.4	23	1.2	-10~+50	100	CI01
CIS0100S	0.9-1.1	Full	0.4	20	1.25	-10~+50	150	CI01
CIS0094S	0.915-0.964	Full	0.3	23	1.2	-10~+50	150	CI01
CIS009012F	0.96-1.22	Full	0.5	20	1.25	-10~+50	10	CI01
CIS010015A	1-1.5	Full	0.8	14	1.6	-10~+50	100	CI01



COAXIAL ISOLATOR

Part Number	Frequency Range (GHz)	Band Width (MHz)	Insertion Loss (dB.Max)	Isolation (dB.Min)	VSWR (Max)	Operating Temperature (°c)	Power Handling (W.FWD)	Case Type
CIS010020D	1-2	Full	0.8	15	1.5	-10~+50	20	CI20
CIS010020F	1-2	Full	0.7	16	1.4	-10~+50	10	CI20
CIS012025G	1.2-2.5	130	0.3	23	1.2	-45~+85	10 Load	CI04
CIS012025GH	1.2-2.5	130	0.3	23	1.2	-45~+85	100 Load	CI06
CIS0125125A	1.25-1.375	Full	0.3	30	1.25	-10~+50	10	CI04
CIS0135500A	1.35-1.85	Full	0.7	18	1.35	-10~+50	1	CI04
CIS0141200A	1.41-1.61	Full	0.7	16	1.4	-10~+50	100	CI04
CIS0153025A	1.53-1.555	Full	0.4	20	1.25	-10~+50	10	CI04
CIS015016AN	1.539-1.609	Full	0.3	25	1.2	-10~+50	30	CI17N
CIS1539070A	1.539-1.609	Full	0.3	20	1.2	-10~+50	30	CI15
CIS085020AN	1.539-1.609	Full	0.3	25	1.2	-10~+50	30	CI17N
CIS085020A	1.539-1.609	Full	0.3	25	1.2	-10~+50	30	CI15
CIS015018A	1.5-1.8	Full	0.5	20	1.25	-10~+50	10	TBD
CIS015025F	1.5-2.5	Full	0.6	18	1.3	-10~+50	10	CI18
CIS0154060A	1.54-1.6	Full	0.3	23	1.2	-10~+50	10	CI04
CIS016026A	1.6-2.6	Full	0.7	17	1.3	-10~+50	1	CI18
CIS016026B	1.6-2.6	Full	0.7	17	1.3	-10~+50	1	CI18
CIS0171990A	1.71-2.4	Full	0.5	20	1.2	-10~+50	10	CI18
CIS018020A	1.8-2	Full	0.4	20	1.25	-10~+50	60	CI06
CIS018020F	1.8-2	Full	0.4	20	1.2	-10~+50	60	CI04
CIS019021F	1.9-2.1	Full	0.4	20	1.2	-10~+50	1	CI04
CIS020024AN	2-2.4	Full	0.5	20	1.25	-10~+50	1	CI17(N)
CIS020024F	2-2.4	Full	0.4	20	1.25	-10~+50	10	CI04
CIS020040G	2-4	200	0.4	23	1.2	-30~+70	10 Load	CI22
CIS020040F	2-4	Full	0.6	17	1.4	-10~+50	10	CI13
CIS020060F	2-6	Full	1.2	15	1.5	-10~+50	20	CI24
CIS020080F	2-8	Full	1.6	11	1.9	-10~+50	10	CI24
CIS02300MS	2.2-2.4	Full	0.4	21	1.2	-10~+50	10	CI04
CIS018030AN	2.3-2.5	Full	0.4	21	1.2	-10~+50	5	CI17
CIS023025F	2.3-2.5	Full	0.4	20	1.2	-10~+50	10	CI04
CIS023027A	2.3-2.7	Full	0.4	20	1.2	-10~+50	10	CI22
CIS023022A	2.3-3.3	Full	0.5	20	1.3	-10~+50	1	CI13
CIS023022B	2.3-3.3	Full	0.5	20	1.3	-10~+50	1	CI13



COAXIAL ISOLATOR

Part Number	Frequency Range (GHz)	Band Width (MHz)	Insertion Loss (dB.Max)	Isolation (dB.Min)	VSWR (Max)	Operating Temperature (°c)	Power Handling (W.FWD)	Case Type
CIS024027F	2.4-2.7	Full	0.4	20	1.2	-10~+50	10	CI22
CIS025030A	2.5-3	Full	0.4	20	1.25	-10~+50	10	CI22
CIS02601350A	2.6-3.95	Full	1	40	1.25	-10~+50	100	32
CIS0270350F	2.7-3.05	Full	0.4	20	1.25	-10~+50	30	CI22
CIS030060F	3-6	Full	0.6	16	1.4	-10~+50	10	CI54
CIS033038A	3.3-3.8	Full	0.4	20	1.25	-10~+50	10	CI22
CIS0335900A	3.35-4.25	Full	0.5	20	1.25	-10~+50	1	CI57(NS)
CIS03500MS	3.4-3.6	Full	0.4	23	1.2	-10~+50	10	CI07
CIS034042F	3.4-4.2	Full	0.5	20	1.25	-10~+50	30	CI57
CIS035080G	3.5-8	450	0.4	23	1.2	-40~+70	10 Load	CI44
CIS03725MS	3.5-3.95	Full	0.4	20	1.25	-10~+50	10	CI07
CIS0385300A	3.85-4.15	Full	0.4	23	1.2	-10~+50	10	CI07
CIS037043F	3.7-4.3	Full	0.4	20	1.25	-10~+50	10	CI07
CIS039046A	3.9-4.6	Full	0.4	20	1.25	-10~+50	10	CI27
CIS040060F	4-6	Full	0.6	18	1.3	-10~+50	100 Peak	CI07
CIS040080F	4-8	Full	0.6	18	1.35	-10~+50	10	CI12
CIS042044A	4.2-4.4	Full	0.6	40	1.2	-10~+50	10	CI60
CIS049051F	4.9-5.1	Full	0.3	25	1.2	-10~+50	10	CI17
CIS049053F	4.9-5.3	Full	0.4	23	1.2	-10~+50	10	CI07
CIS050080F	5-8	Full	0.6	18	1.3	-10~+50	10	CI12
CIS050080B	5.35-5.95	Full	0.4	23	1.2	-10~+50	10	CI07
CIS05525MS	5.3-5.75	Full	0.4	20	1.25	-10~+50	10	CI44
CIR058065F	5.8-6.5	Full	0.5	20	1.25	-10~+50	30	CI57
CIS05840585A	5.84-6.425	Full	0.4	20	1.25	-10~+50	10	CI44
CIS060080F	6-8.0	Full	0.5	20	1.25	-10~+50	20	CI12
CIS060085F	6-8.5	Full	0.6	18	1.3	-10~+50	/	CI12
CIS060120F	6-12	Full	0.6	18	1.4	-10~+50	10	CI53
CIS060180F	6-18	Full	1.5	11	1.9	-10~+50	10	CI21
CIS068072A	6.8-7.2	Full	0.3	23	1.2	-10~+50	10	CI14
CIS070200G	7-20	1300	0.4	23	1.25	-40~+70	10 Load	CI10
CIS07650MS	7-8.3	Full	0.4	20	1.25	-10~+50	10	CI10
CIS071073F	7.1-7.3	Full	0.3	23	1.2	-10~+50	10	CI10
CIS072084A	7.2-8.4	Full	0.4	20	1.25	-10~+50	10	CI10



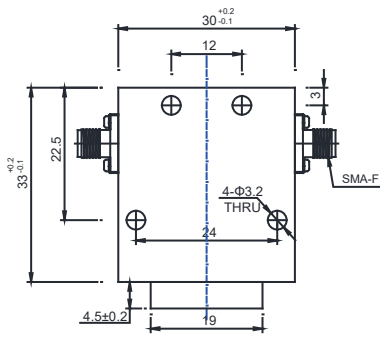
COAXIAL ISOLATOR

Part Number	Frequency Range (GHz)	Band Width (MHz)	Insertion Loss (dB.Max)	Isolation (dB.Min)	VSWR (Max)	Operating Temperature (°c)	Power Handling (W.FWD)	Case Type
CIS080110F	8-11	Full	0.4	20	1.25	-10~+50	25	CI10
CIS080120F	8-12	Full	0.5	20	1.25	-10~+50	10	CI10
CIS080120A	8-12	Full	0.6	18	1.3	-10~+50	10	CI10
CIS080180F	8-18	Full	0.8	16	1.5	-10~+50	10	CI23
CIS08950MS	8.3-9.6	Full	0.4	20	1.25	-10~+50	5 Load	CI10
CIS085096A	8.5-9.6	Full	0.4	20	1.25	-10~+50	1	CI55
CIS090097F	9-9.7	Full	0.4	20	1.3	-10~+50	20	CI59
CIS095100F	9.5-10	Full	0.4	23	1.2	-10~+50	10	CI10
CIS097102F	9.75-10.25	Full	0.6	50	1.2	-10~+50	10	CI19
CIS100120A	10-12	Full	0.4	20	1.4	-10~+50	100	CI04
CIS100130F	10-13	Full	1	40	1.35	-10~+50	10	CI33
CIS100150F	10-15	Full	0.5	20	1.25	-10~+50	20	CI10
CIS11550MS	10.9-12.2	Full	0.4	20	1.25	-10~+50	10	CI10
CIS11550MC	10.9-12.2	Full	0.4	20	1.25	-10~+50	10	CI10
CIS110160F	11-16	Full	0.7(0.6)	17(18)	1.4(1.35)	-10~+50	25	CI10
CIS120180F	12-18	Full	0.6	18	1.3	-10~+50	10	CI10
CIS14150MS	13.5-14.8	Full	0.4	20	1.25	-10~+50	5	CI10
CIS15450MS	14.8-16.1	Full	0.5	20	1.25	-10~+50	5 Load	CI10
CIS15060196A	15.06-15.256	Full	0.5	25	1.3	-10~+50	30	CI31
CIS160170F	16-17	Full	0.4	20	1.2	-10~+50	25	CI10
CIS170200F	17-20	Full	1	40	1.35	-10~+50	10	CI33
CIS177212F	17.7-21.2	Full	0.8	16	1.35	-20~+60	10	CI58
CIS180245G	18-24.4	650	0.6	18	1.35	-40~+70	10 Load	CI11
CIS180200F	18-20	Full	0.6	18	1.3	-20~+60	10	CI58
CIS180220F	18-22	Full	0.8	16	1.35	-20~+60	10	CI58
CIS180265F	18-26.5	Full	1	15	1.45	-20~+60	10	CI58
CIS190210F	19-21	Full	0.6	18	1.3	-20~+60	10	CI58
CIS200220F	20-22	Full	0.6	18	1.3	-20~+60	10	CI58
CIS200240F	20-24	Full	0.8	16	1.35	-20~+60	10	CI58
CIS210230F	21-23	Full	0.6	18	1.3	-20~+60	10	CI58
CIS220240F	22-24	Full	0.6	18	1.3	-10~+50	10	CI10
CIS220270F	22-27	Full	0.8	16	1.35	-20~+60	10	CI58
CIS230260F	23-26	Full	0.6	18	1.3	-20~+60	10	CI58

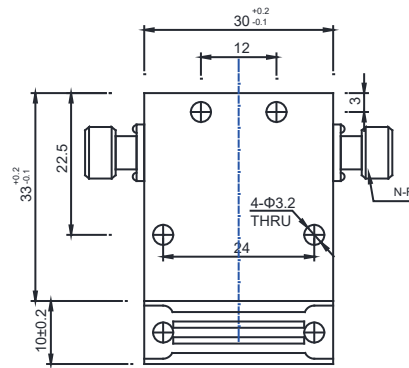


COAXIAL ISOLATOR

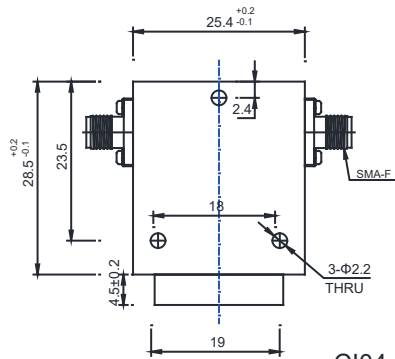
Part Number	Frequency Range (GHz)	Band Width (MHz)	Insertion Loss (dB.Max)	Isolation (dB.Min)	VSWR (Max)	Operating Temperature (°c)	Power Handling (W.FWD)	Case Type
CIS240270F	24-27	Full	0.6	18	1.3	-20~+60	10	CI58
CIS265293F	26.5-29.3	Full	0.7	18	1.3	-20~+60	2	CI56
CIS265324F	26.5-32.4	Full	0.9	16	1.4	-20~+60	2	CI56
CIS279309F	27.9-30.9	Full	0.7	18	1.3	-20~+60	2	CI56
CIS294325F	29.4-32.5	Full	0.7	18	1.3	-20~+60	2	CI56
CIS294360F	29.4-36	Full	0.9	16	1.4	-20~+60	2	CI56
CIS310343F	31-34.3	Full	0.7	18	1.3	-20~+60	2	CI56
CIS320370F	32-37	Full	0.9	16	1.4	-20~+60	2	CI56
CIS326361F	32.6-36.1	Full	0.7	18	1.3	-20~+60	2	CI56
CIS327400F	32.7-40	Full	0.9	16	1.4	-20~+60	2	CI56
CIS343380F	34.3-38	Full	0.7	18	1.3	-20~+60	2	CI56
CIS362400F	36.2-40	Full	0.7	18	1.3	-20~+60	2	CI56



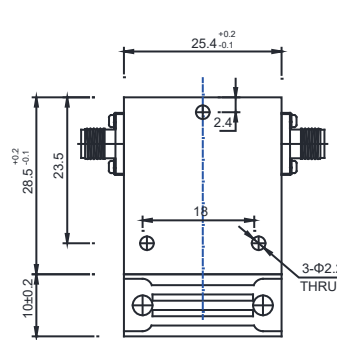
CI01



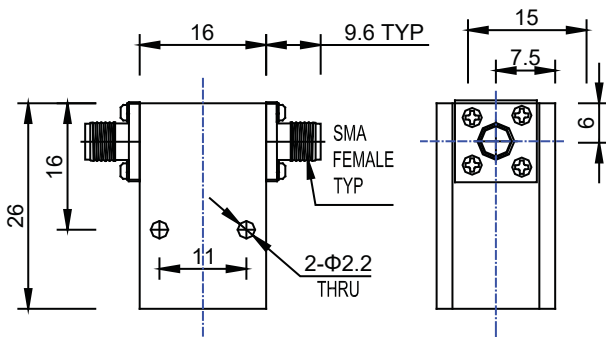
CI03N



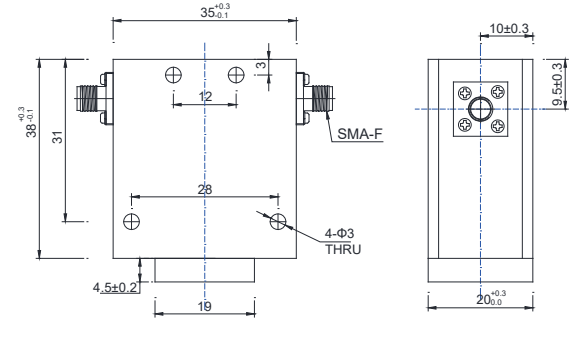
CI04



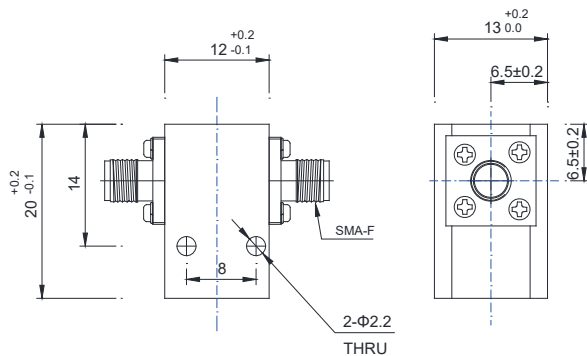
CI06



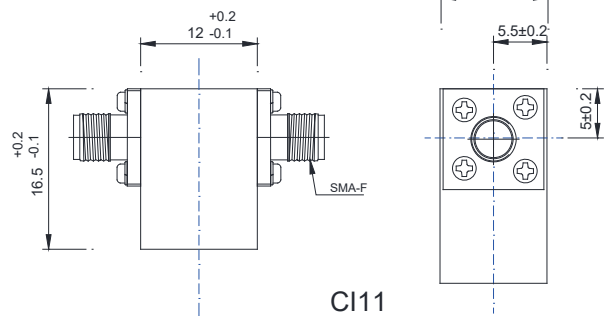
CI07



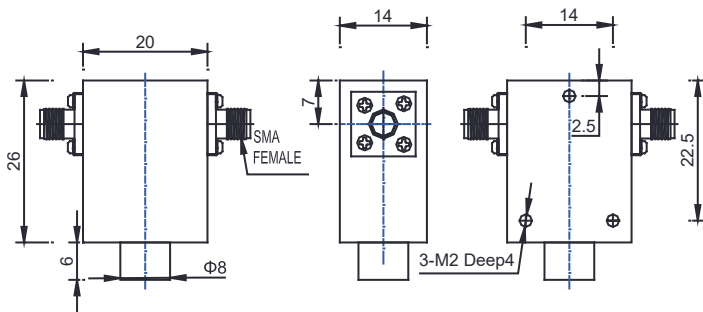
CI08



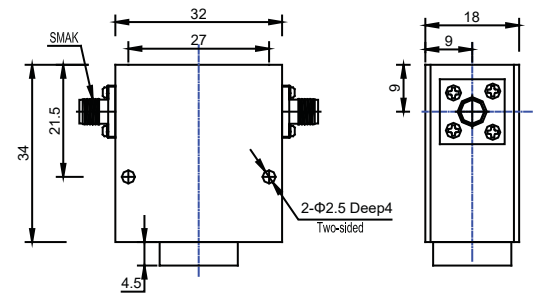
CI10



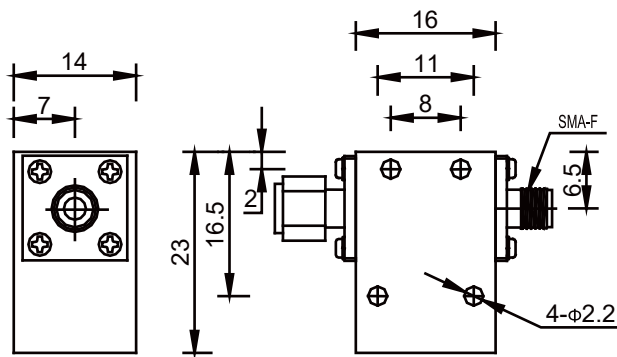
CI11



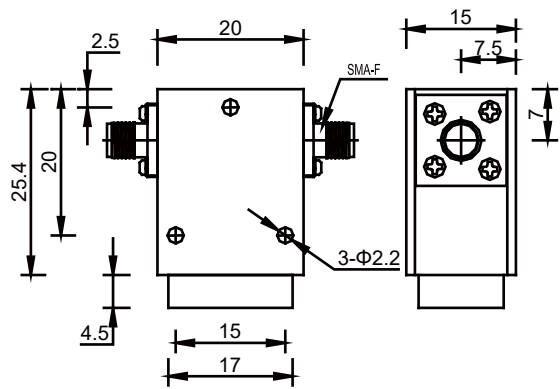
CI12



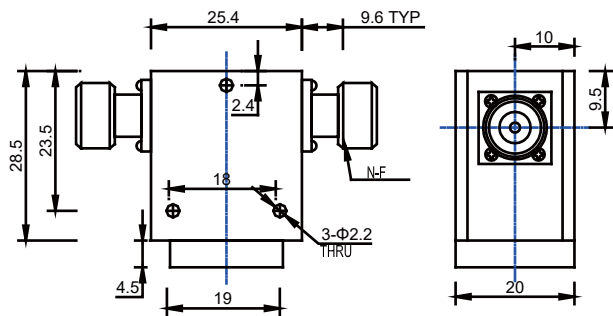
CI13



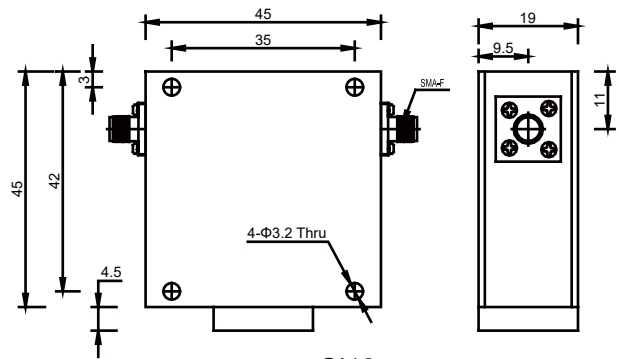
CI14



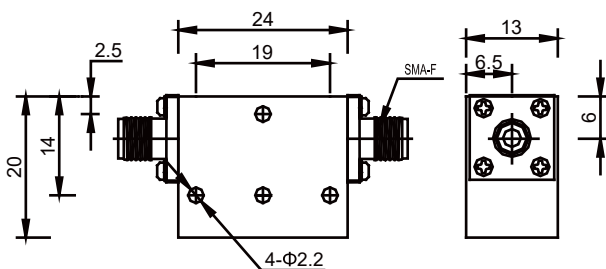
CI15



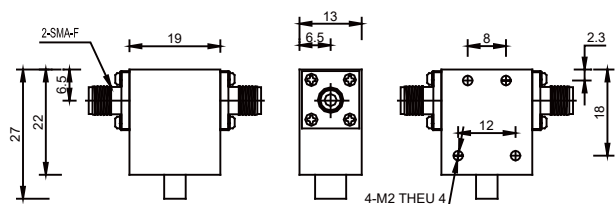
CI17(N)



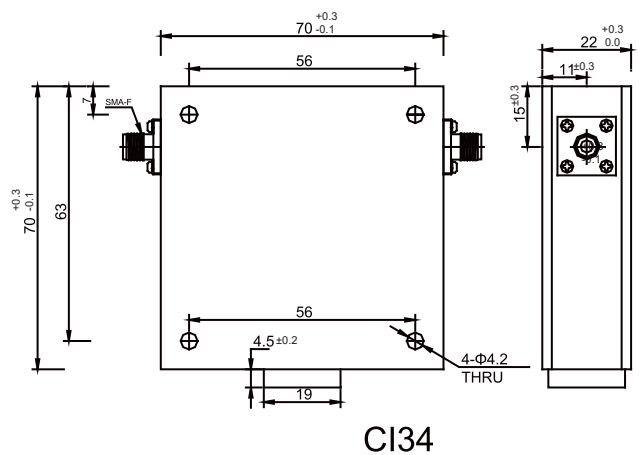
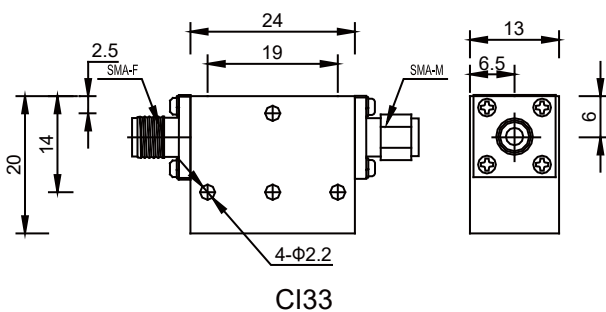
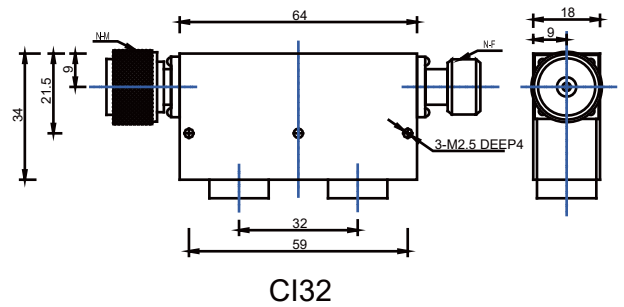
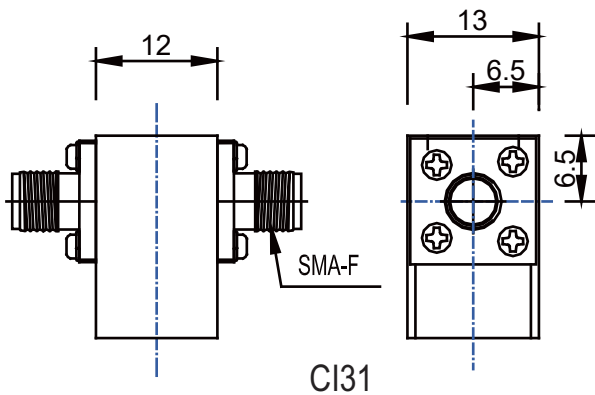
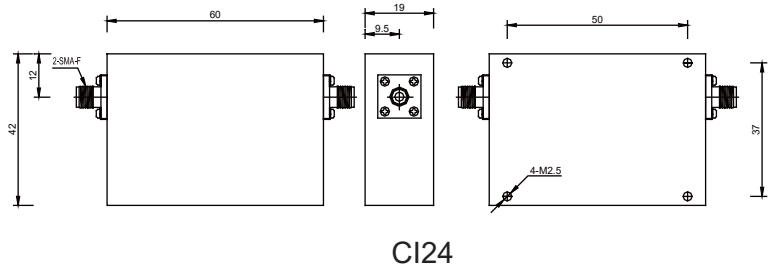
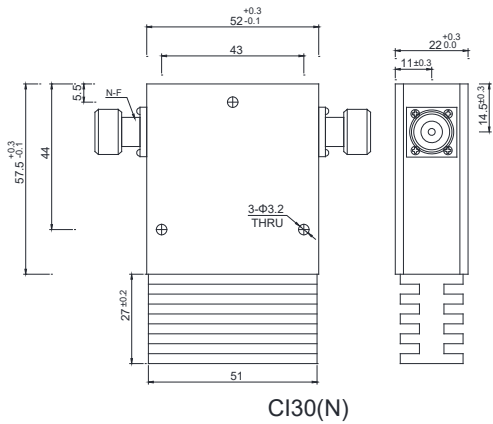
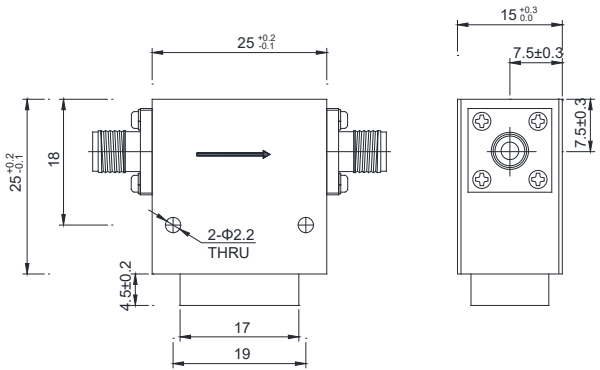
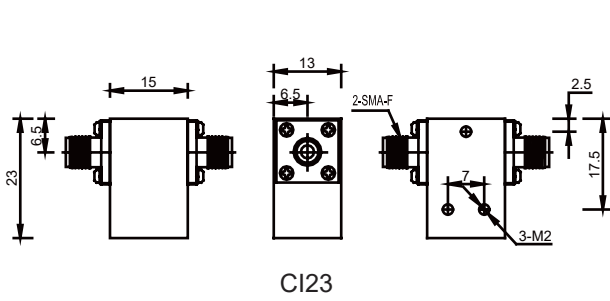
CI18

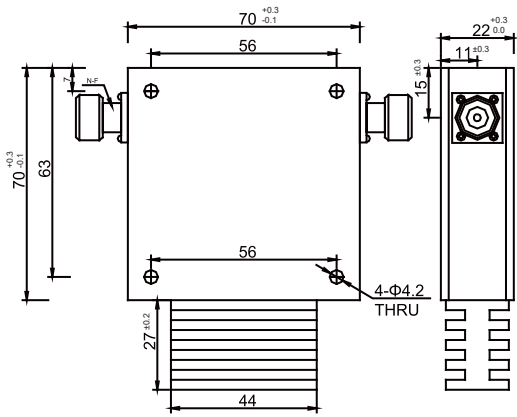


CI19

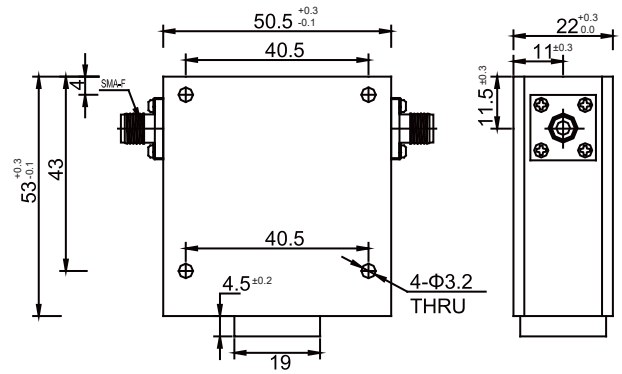


CI21

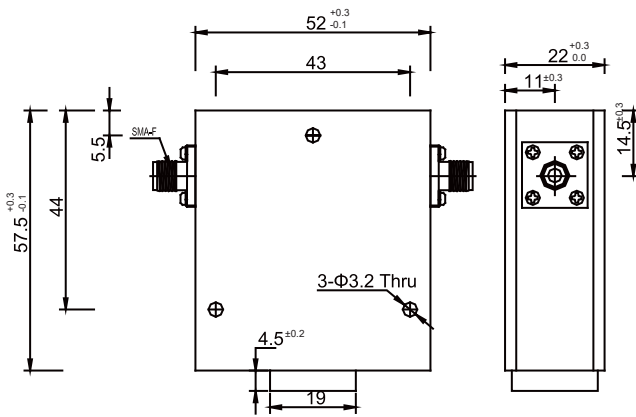




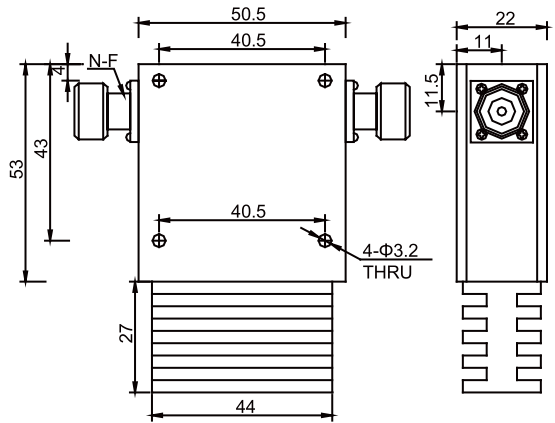
CI35(N)



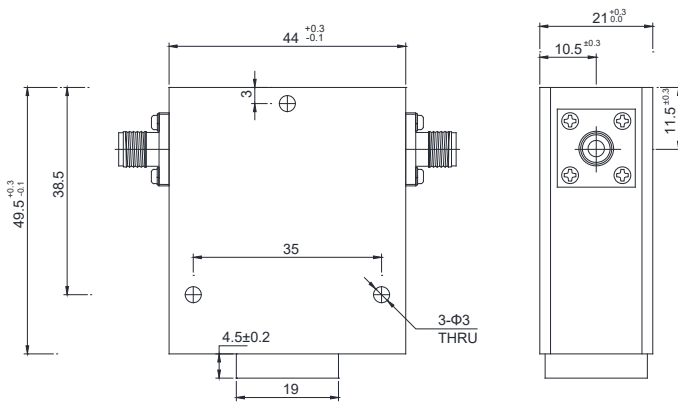
CI36



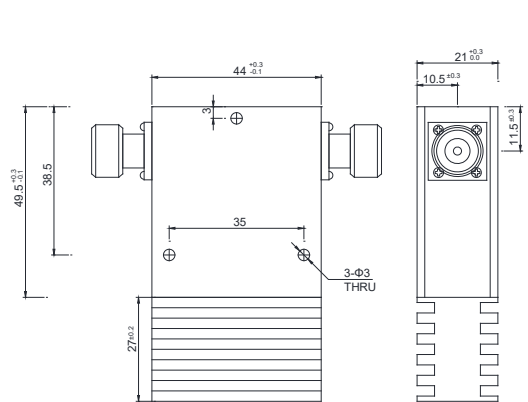
CI38



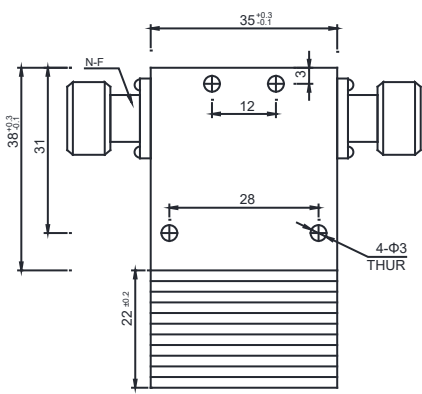
CI37(N)



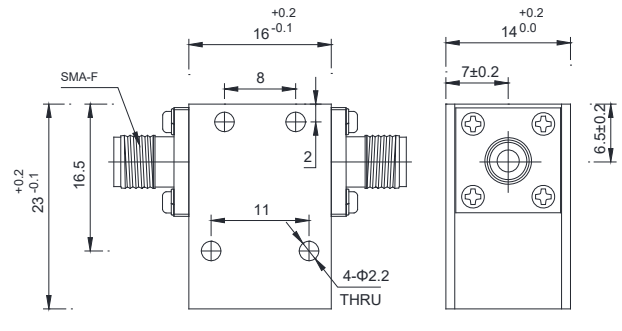
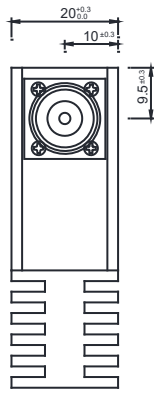
CI39



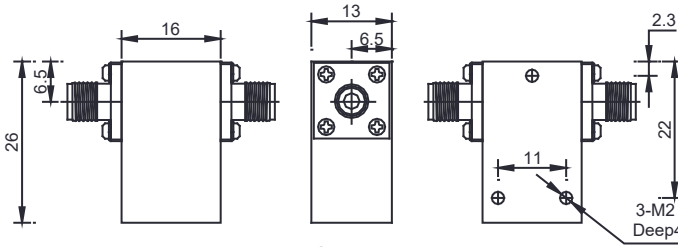
CI40(N)



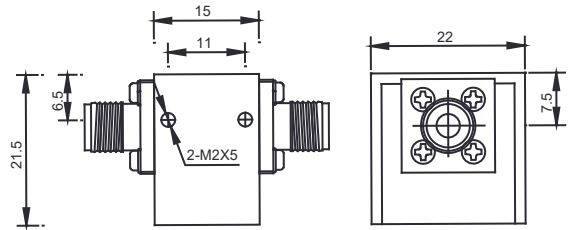
CI41(N)



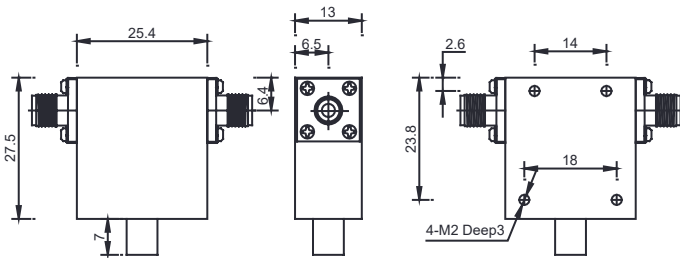
CI44



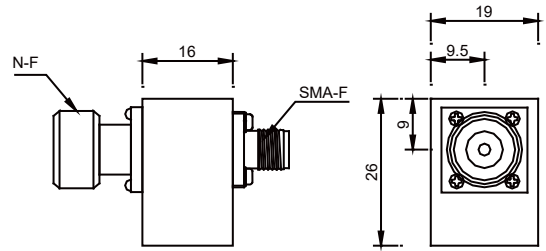
CI53



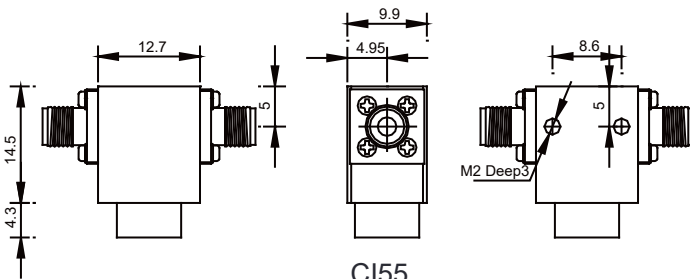
CI56



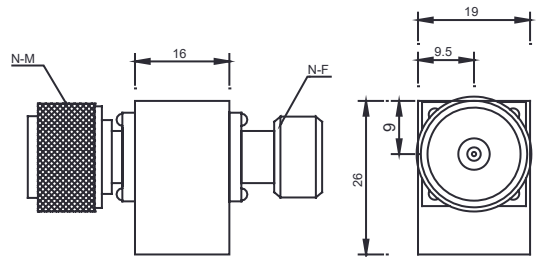
CI54



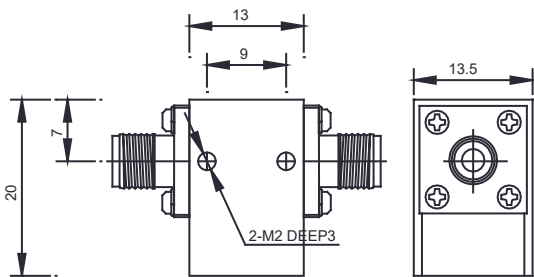
CI57(NS)



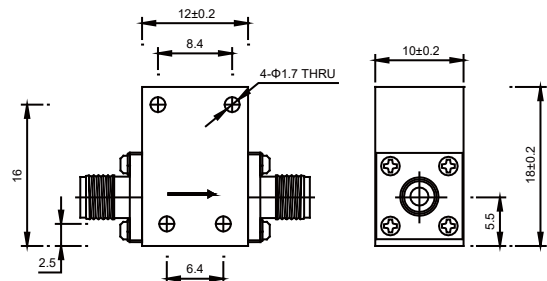
CI55



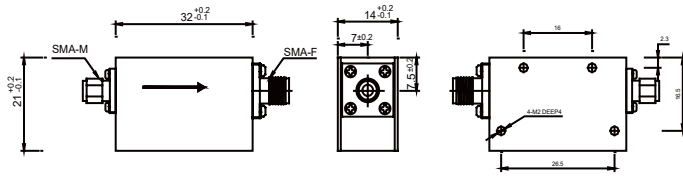
CI57



CI58



CI59



CI60